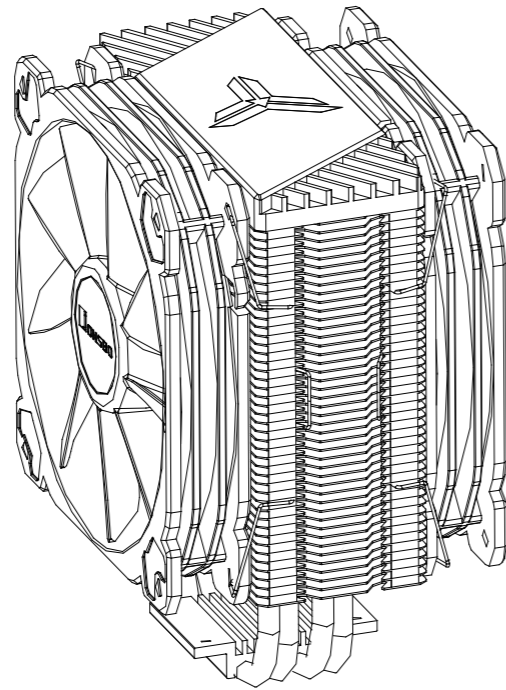
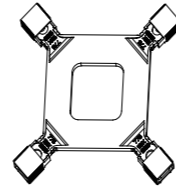


A CPU Cooler



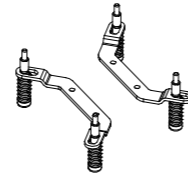
B Back Plate



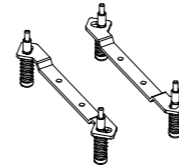
C Bracket Screw



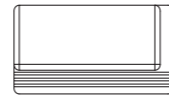
D Intel Bracket



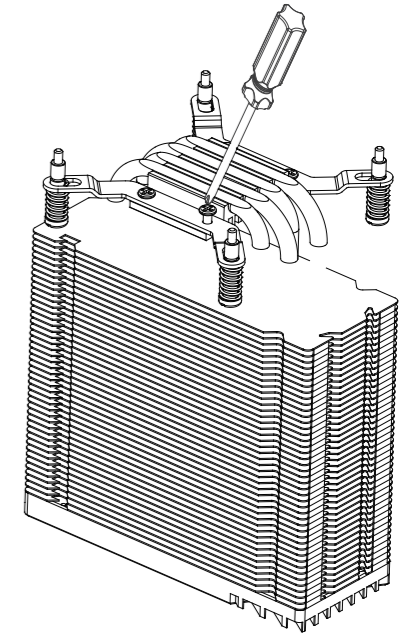
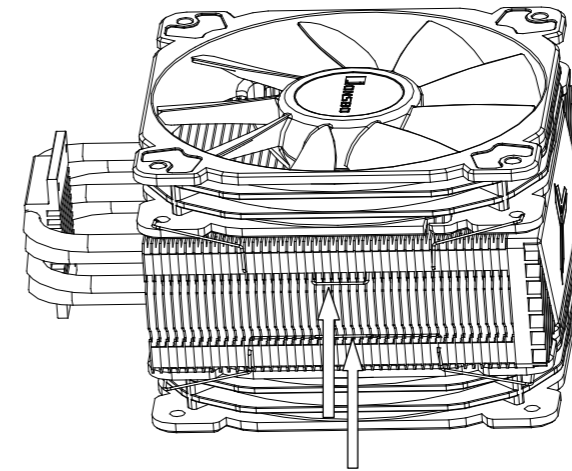
E AMD Bracket



F Thermal Grease



Step1



EN Remove the fan before installing the radiator, and break the snap indicated by the arrow by hand to remove the fan.

CN 安装散热器前先移除风扇,用手掰开箭头指示的卡扣就可以取下风扇。

EN Install the bracket mount on the cooler base. Fasten the bracket mount with screws.

CN 将支架安装到散热器底座,并用螺丝将其锁紧。

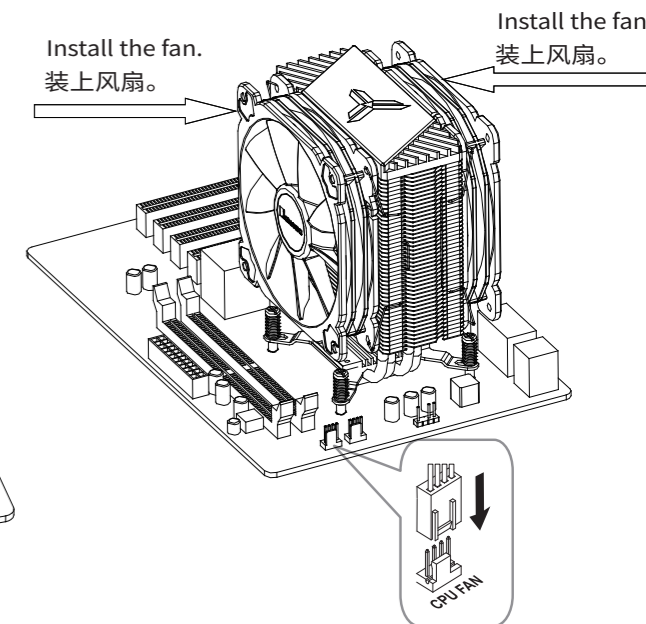
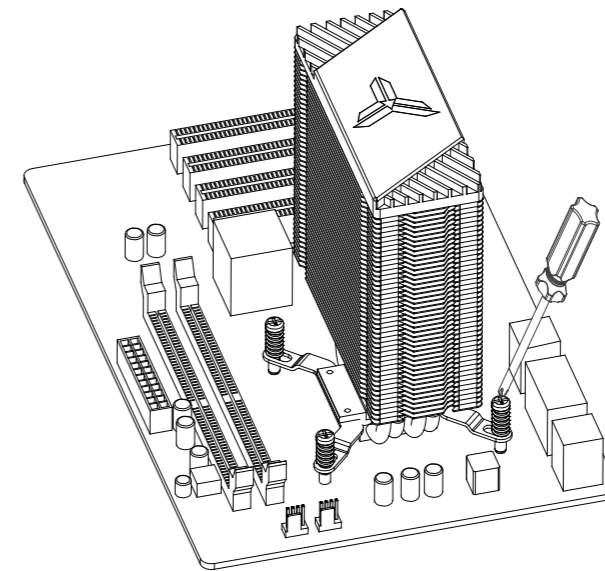
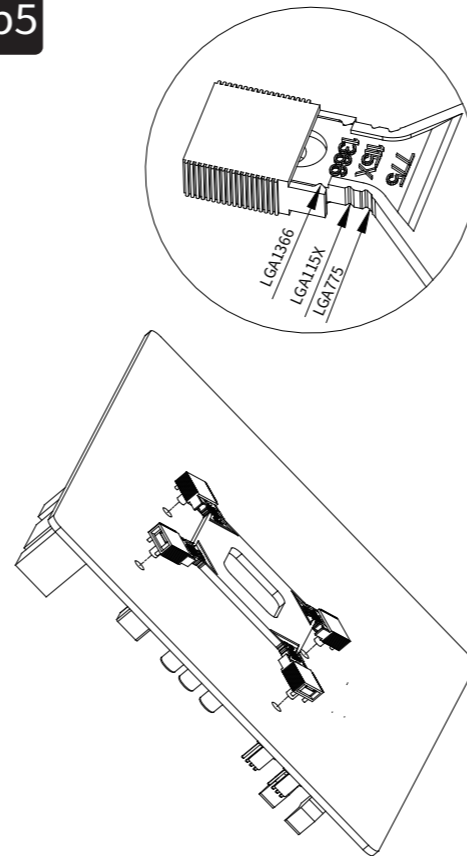
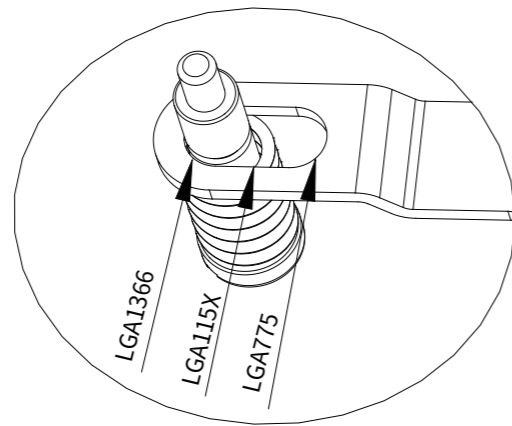
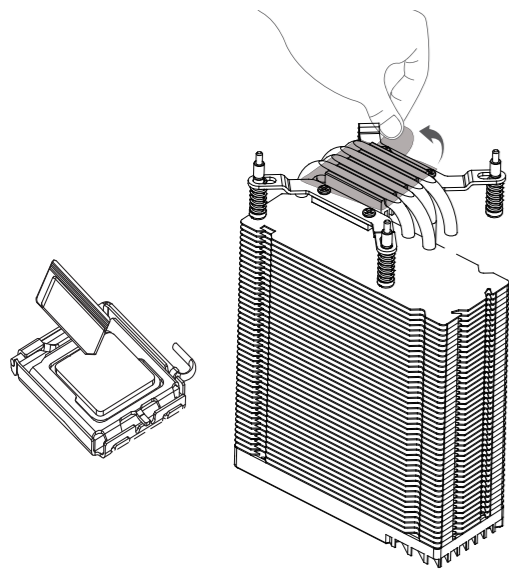
Step3

Step4

Step5

Step6

Step7



EN Evenly spread the heat sink paste on the surface of the CPU and remove the bottom of the radiator.

CN 将散热膏均匀涂抹在CPU表面上,并取下散热器底部的保护膜。

EN Move the screw on the bracket to the corresponding position according to the main board type.(As shown in the above figure)

CN 根据主板型号将支架上的螺杆移到对应位置。(如上图所示)

EN The backplane positioning slider is moved to the desired position and loaded into the main board. (As shown in the above figure)

CN 将背板定位滑块移至所需位置后,装入主板。(如上图所示)

EN Place the radiator on the CPU while aligning the support screw to the backplane nut and tightening (Pictured above)

CN 将散热器置于CPU上,同时将支架螺杆对准背板螺母并拧紧。(如上图)

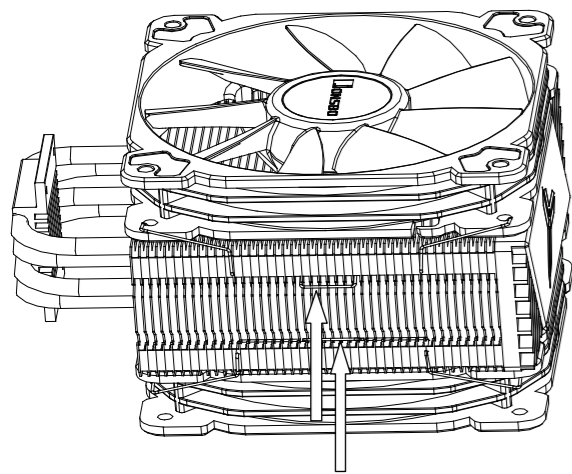
EN Install the fan and connect the fan wire to the main board . (pictured above)

CN 装上风扇再将风扇电线与主板连接。(如上图)

CR-1000 PLUS

User's Manual

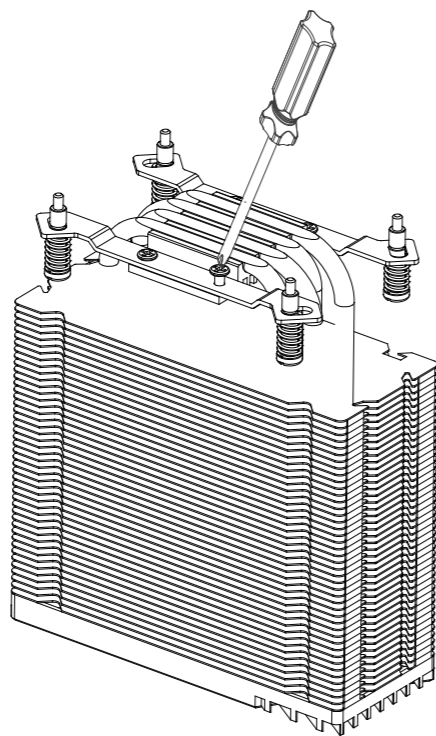
Step1



EN Please remove the fan before installing radiator by opening those 2 buckles pointed by arrow.

CN 安装散热器前先移除风扇，用手撬开箭头指示的2个卡扣就可以取下风扇。

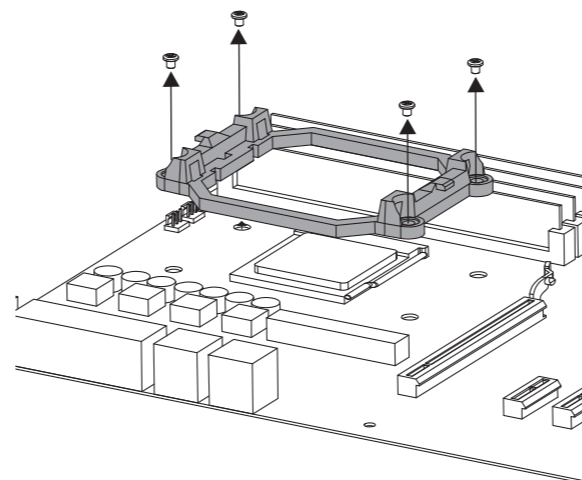
Step2



EN Install the bracket mount on the cooler base. Fasten the bracket mount with screws.

CN 将支架安装到散热器底座，并用螺丝将其锁紧。

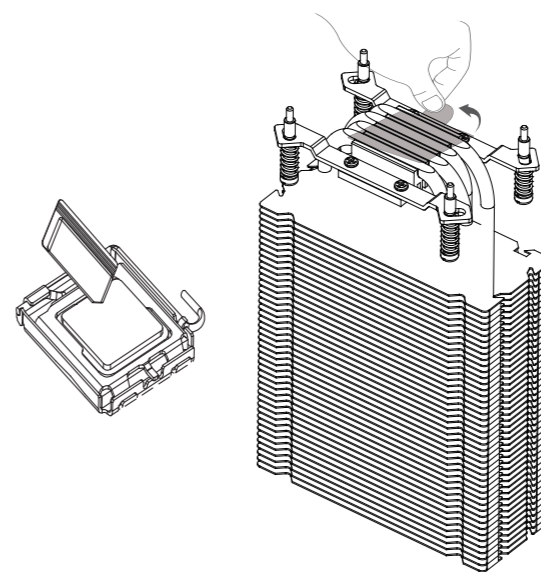
Step3



EN Please remove the original heat sink bracket on the AMD motherboard. (Pictured above)

CN 请将AMD主板上的原厂散热支架移除。(如上图)

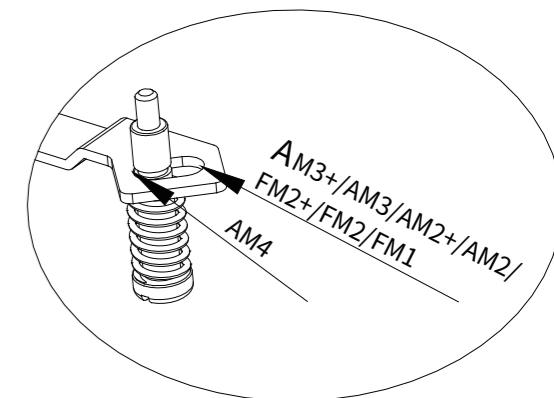
Step4



EN Evenly spread the heat sink paste on the surface of the CPU and remove the bottom of the radiator.

CN 将散热膏均匀涂抹在CPU表面上，并取下散热器底部的保护膜。

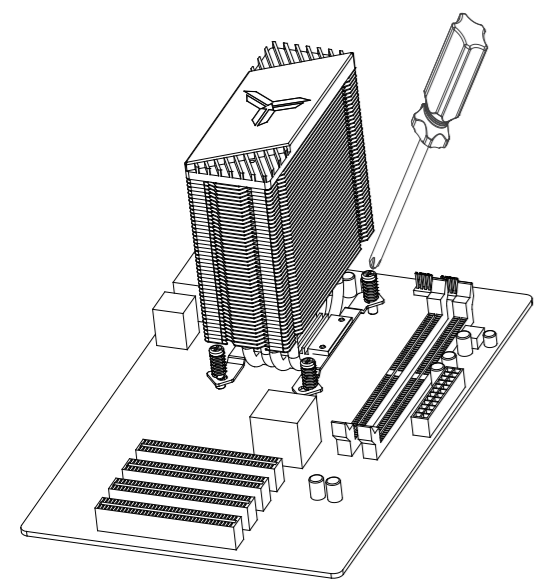
Step5



EN Move the screw on the bracket to the corresponding position according to the main board type(As shown in the above figure)

CN 根据主板型号将支架上的螺杆移到对应位置。(如上图所示)

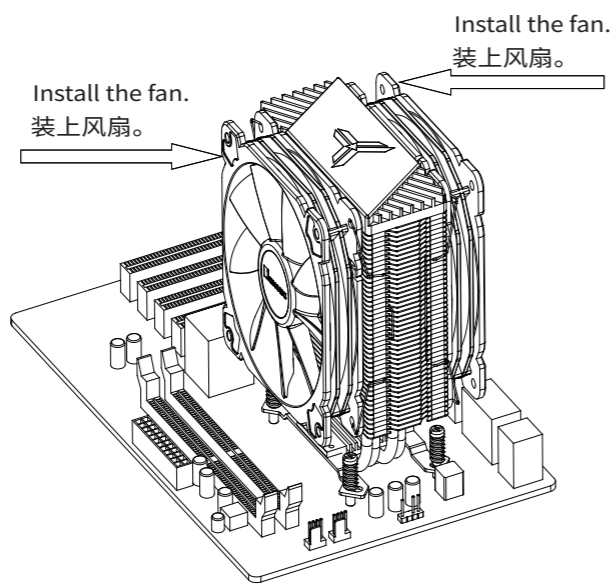
Step6



EN Place the radiator on the CPU and screw the bracket screw to the base of the original cooling rack (Pictured above)

CN 将散热器置于CPU上，同时将支架螺杆对准主板原装散热架底座孔位并拧紧。(如上图)

Step7



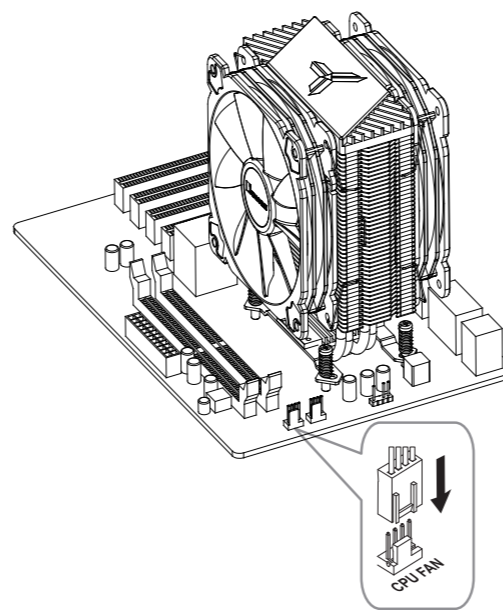
Install the fan.
装上风扇。

Install the fan.
装上风扇。

EN Install the fan.

CN 装上风扇。

Step8



EN Connect the power cord to the system board. (pictured above)

CN 将电源线与主板连接。(如上图)

CR-1000 PLUS